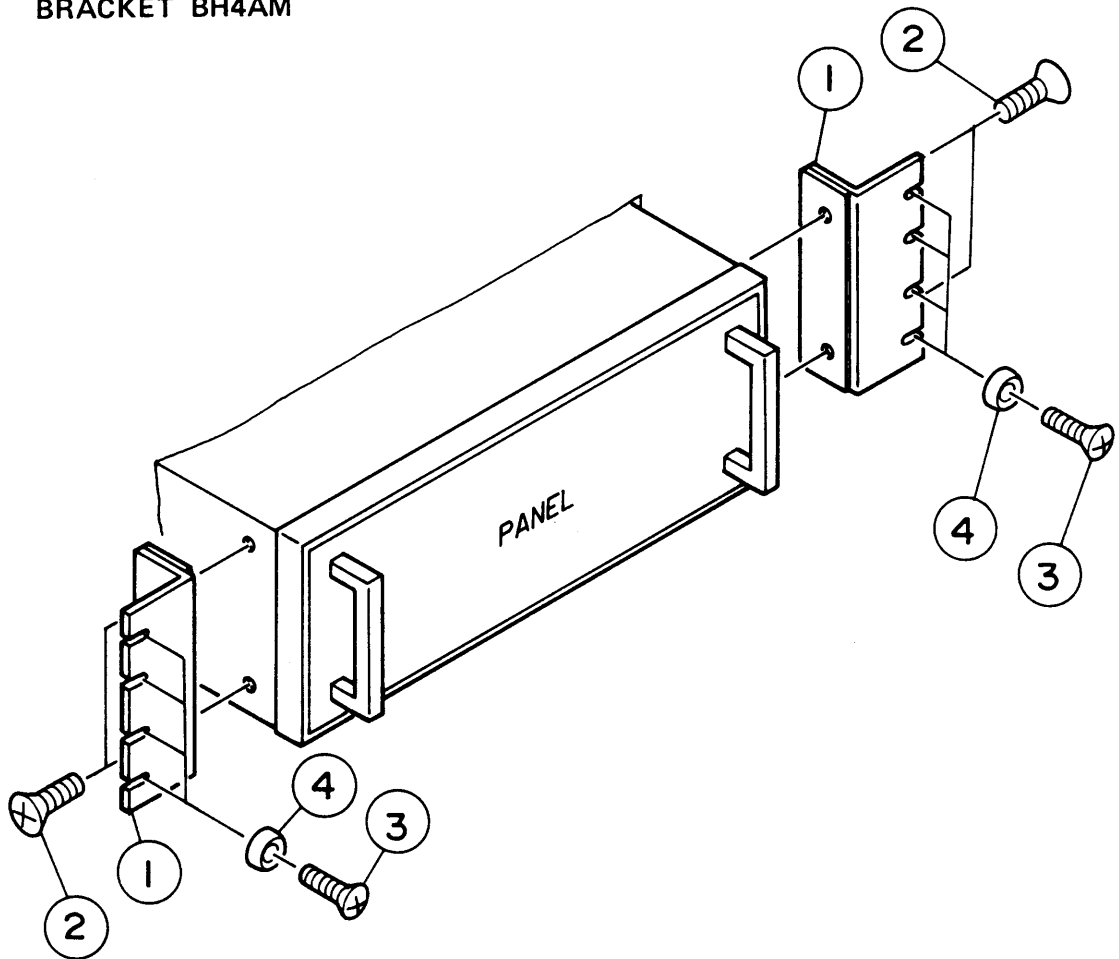


# BRACKET BH4AM



| NO. | DESCRIPTION                     | QTY | CODE NO.   |
|-----|---------------------------------|-----|------------|
| 1   | BRACKET BH4AM                   | 2   | D3-984-001 |
| 2   | SCREW, FLAT HEAD M4x0.7x16 S-ZN | 4   | M2-001-171 |
| 3   | SCREW, OVAL HEAD M5x0.8x14 B-NI | 8   | M2-002-091 |
| 4   | FINISHING WASHER 5CW            | 8   | M5-003-031 |